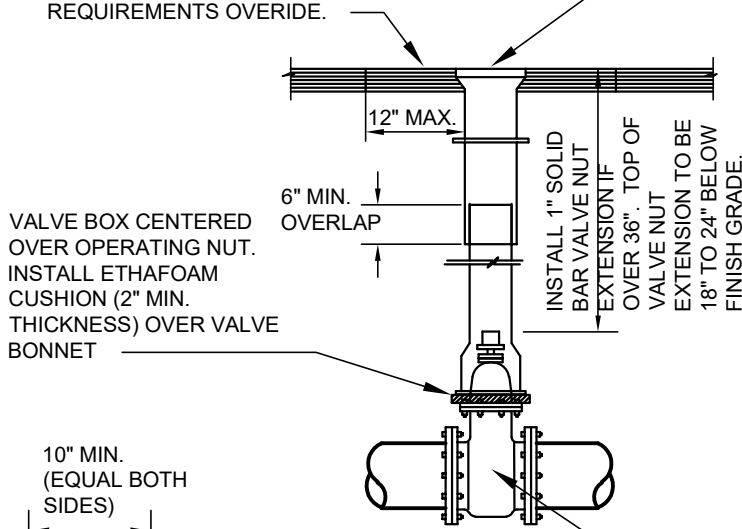


3" MIN. OR MATCH EXIST. THICKNESS $\frac{1}{2}$ " HMA ASPHALT PATCH. W/ 6" MIN. CRUSHED GRAVEL BASE COURSE. SEAM SEAL WITH A NARROW WAFER THIN APPLICATION OF AR4000. COVER SEALANT WITH SAND. JURISDICTIONAL REQUIREMENTS OVERRIDE.

VALVE BOX TO BE ADJUSTED FLUSH WITH FINISH PAVING. SEE NOTE 9.



2" SQUARE X 2" DEEP OPERATING NUT

4 $\frac{1}{2}$ " DIA. X $\frac{1}{4}$ " (MIN. THICKNESS) IDLER PLATE

1" SOLID STEEL BAR
SQUARE SOCKET 2 $\frac{1}{4}$ " INSIDE, 2 $\frac{1}{4}$ " DEPTH ($\frac{1}{8}$ " MIN. WALL THICKNESS. DO NOT INSTALL SET SCREW.

VALVE BOX CENTERED OVER OPERATING NUT. INSTALL ETHAFOAM CUSHION (2" MIN. THICKNESS) OVER VALVE BONNET

INSTALL 1" SOLID BAR VALVE NUT OVER 36" TOP OF VALVE NUT EXTENSION TO BE 18" TO 24" BELOW FINISH GRADE.

10" MIN. (EQUAL BOTH SIDES)

SLOPE 2%

SLOPE 2%

3.5" MIN.

10" MIN. (TYP.)

VALVE BOX COLLAR MIN. 3.5" THICK CONCRETE. CONCRETE MUST BE REINFORCED WITH A #4 REBAR HOOP. SLOPE COLLAR 2% AWAY FROM LID (TYP.)

EXTEND COLLAR AROUND VALVE CLUSTERS.

VALVE

6" MIN.

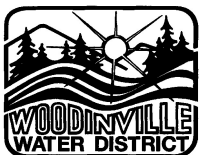
16" TOP SECTION

USE STANDARD 2' BASE SECTION UNTIL MIN. OVERLAP CANNOT BE ACHIEVED. FOR DEEPER INSTALLATIONS USE A 3' OR 4' BASE SECTION UNTIL OVERLAP CANNOT BE ACHIEVED. 5" SOIL PIPE SHALL BE USED TO MAKE UP LENGTH FOR DEEPEST INSTALLATIONS. BASE, SOIL PIPE, AND TOP SECTION MUST BE INSTALLED WITH ALL CHAMBERS IN ALIGNMENT FOR ACCEPTANCE.

DO NOT STACK BASE SECTIONS.

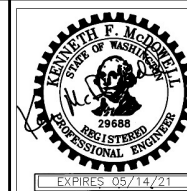
NOTES:

1. VALVE BOX & LID TO BE EAST JORDAN IRON WORKS PRODUCT NO. 85552737 CATALOG NO. 8555.
2. VALVE BOX LIDS TO BE A MIN. 3.5 INCHES IN OVERALL DEPTH. LOCKING VALVE BOX LIDS REQUIRED IF LIDS WILL NOT STAY PUT DUE TO TRAFFIC OR AS REQUIRED BY THE DISTRICT.
3. BACKFILL SHALL BE COMPACTED AROUND VALVE CANS WITH A HAND TAMPER (JUMPING JACK) IN 12" MAX. LIFTS.
4. SAWCUT VALVE BOX COMPONENTS. BROKEN OR JAGGED VALVE BOX SECTIONS NOT ACCEPTABLE.
5. OVERLAY ADJUSTMENT RINGS NOT ALLOWED, UNLESS APPROVED BY THE DISTRICT.
6. VALVE BOX COLLARS REQUIRED IF VALVE BOX OUT OF PAVING. PLACE TOP OF COLLAR $\frac{1}{2}$ " BELOW THE EXTENDED ROAD SURFACE IN GRAVEL SHOULDERS. COLLARS TO BE FLUSH WITH FINISH LANDSCAPE, SOD OR UNIMPROVED AREAS. SLOPE COLLARS AWAY FROM LID AT 2% (TYP.)
7. VALVE BOX LIDS TO BE PAINTED (2) COATS OF SHERWIN WILLIAMS INDUSTRIAL URETHANE ALKYD 854T00154 SW4086 SAFETY BLUE.
8. VALVE MARKER POST AND VALVE BOX COLLAR REQUIRED WHEN VALVE BOX OUTSIDE OF PAVING (EXCEPT FH GATE VALVES). SEE STANDARD PLAN NO. 23.
9. VALVE BOXES SHALL BE ADJUSTED AFTER PAVING AND PATCHED AS SHOWN ABOVE. VALVES CONNECTED TO THE EXISTING SYSTEM SHALL BE MADE ACCESSIBLE AT ALL TIMES.



Woodinville
Water District

VALVE BOX
INSTALLATION



WATER STD.
PLAN NO. 6

REVISION DATE
12-20