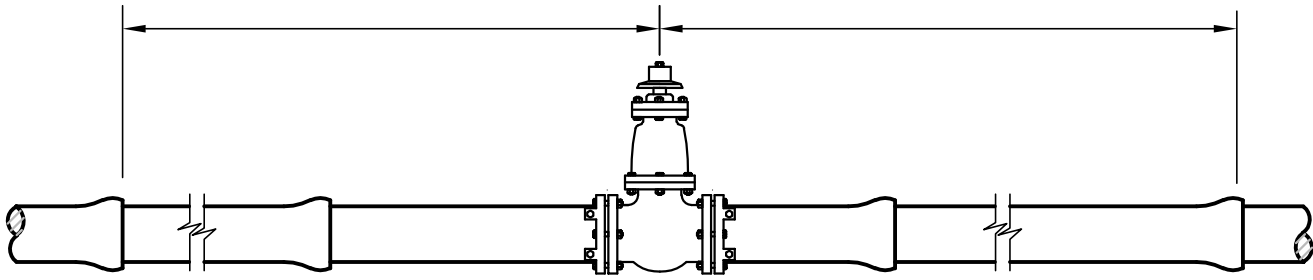
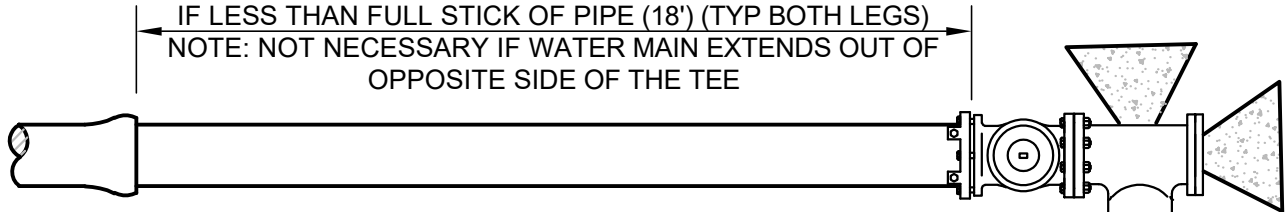


RESTRAIN PIPE JOINTS W/ FIELD  
LOCK GASKETS (MIN. 35') EACH SIDE OF IN-LINE VALVE



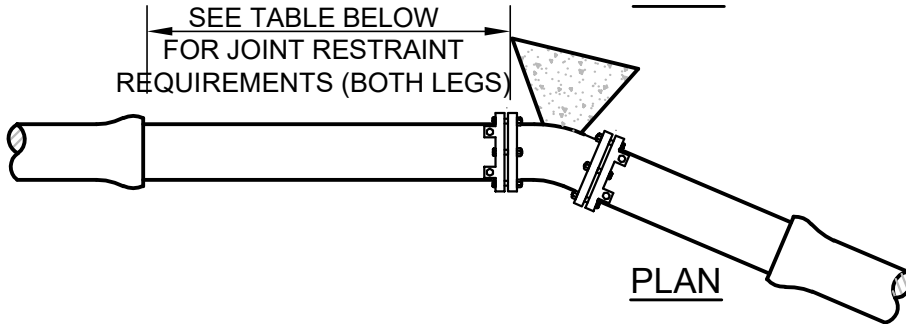
ELEVATION

INSTALL FIELD LOCK GASKET IN PIPE JOINT  
IF LESS THAN FULL STICK OF PIPE (18') (TYP BOTH LEGS)  
NOTE: NOT NECESSARY IF WATER MAIN EXTENDS OUT OF  
OPPOSITE SIDE OF THE TEE



PLAN

SEE TABLE BELOW  
FOR JOINT RESTRAINT  
REQUIREMENTS (BOTH LEGS)

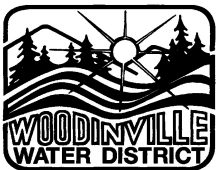


PLAN

DEGREE OF BEND	RESTRAIN PIPE JOINT IF CLOSER THAN
11 1/4° BEND	NA
22 1/2° BEND	NA
45° BEND	8'
90° BEND	18'

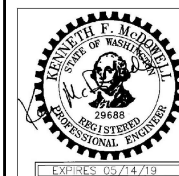
NOTES:

1. THRUST BLOCKING REQUIRED. SEE STANDARD PLAN NO. 3.
2. ADDITIONAL RESTRAINT MAY BE REQUIRED (AS DIRECTED BY THE DISTRICT) FOR POOR GROUND CONDITIONS.
3. MEGALUGS (EBAA IRON OR EQUAL) SHALL BE INSTALLED ON ALL MECHANICAL JOINTS.
4. SEE STANDARD PLANS NO. 4 FOR VERTICAL BEND REQUIREMENTS.



**Woodinville  
Water District**

**PIPE AND FITTING  
RESTRAINT REQUIREMENTS**



**WATER STD.  
PLAN NO. 2**

REVISION DATE

11-12