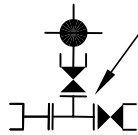


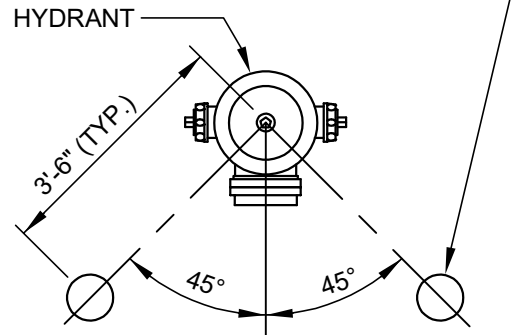
USE 2" DIE CUT STICK ON LETTERS TO MARK HYD. NO. ON BONNET

PAINT RED BAND AROUND OUTSIDE OF BONNET FLANGE IF MAIN LINE VALVE IS INCLUDED ON HYDRANT TEE.



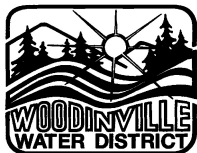
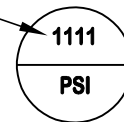
LETTER LENGTH (ROUNDED OFF TO THE NEAREST FOOT) FROM CENTER OF HYD. OPERATING NUT TO 6" GATE VALVE. LETTERING MUST FACE THE GATE VALVE. ALTERNATIVELY, THE LETTERING MAY BE PLACED ABOVE THE PUMPER PORT IF THE STANDARD LOCATION DOES NOT HAVE A SMOOTH SURFACE. IF FIRE HYDRANT HAS BEEN ROTATED, ROTATE LENGTH LETTERING ACCORDINGLY.

INSTALL BOLLARDS AS DIRECTED. TOP OF BOLLARD TO BE LEVEL W/ TOP OF OPERATING NUT.



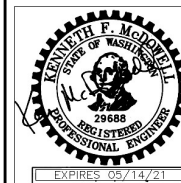
NOTES:

1. FIRE HYDRANTS & BOLLARDS TO BE PAINTED (2) COATS SHERWIN WILLIAMS INDUSTRIAL URETHANE ALKYD B54Y SAFETY YELLOW.
2. VALVE BOX LIDS TO BE PAINTED (2) COATS OF SHERWIN WILLIAMS INDUSTRIAL URETHANE ALKYD B54T00154 SW4086 SAFETY BLUE.
3. RED BAND AROUND BONNET FLANGE TO BE PAINTED (2) COATS OF SHERWIN WILLIAMS INDUSTRIAL URETHANE ALKYD B54R158 SAFETY RED.
4. BOLLARDS MAY NOT BE USED WITHIN 10' OF ROADWAY EDGES. PROTECTION OF FIRE HYDRANTS MUST BE PROVIDED WHERE BOLLARDS CANNOT BE USED. DEVELOPER SHALL SUBMIT PLAN FOR FIRE HYDRANT PROTECTION.
5. SEE "APPROVED FOR CONSTRUCTION" PLANS FOR FIRE HYDRANT NUMBER. LOCATED IN UPPER PORTION OF CIRCLE. EXAMPLE



**Woodinville
Water District**

**NEW AND RELOCATED FIRE
HYDRANT DETAILS**



**WATER STD.
PLAN NO. 9B**

REVISION DATE
12-20