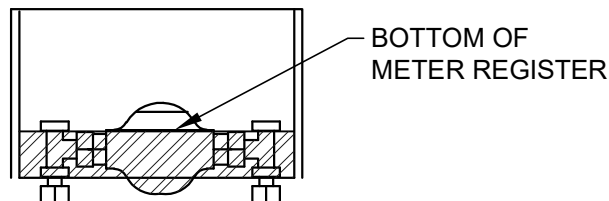
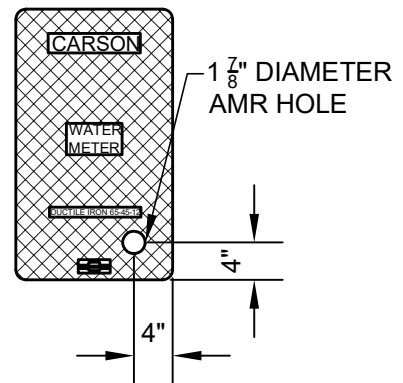


1" SERVICE MATERIAL LIST

- ① SERVICE SADDLE
ROMAC 101-S, FORD FS101 WITH I.P. THREADS & STAINLESS STEEL STRAP.
- ② BALL CORP. STOP (WITH 1" I.P. THREADS)
AY MCDONALD 73131B WITH 74754-3Q COMP. WITH STIFFENER
MUELLER B-20013 WITH H-15456 INSTA-TITE.
- ③ SERVICE PIPE
1" CENTENNIAL PLASTICS INC. CENCORE HIGH DENSITY POLYETHYLENE SERVICE PIPE MEETING
AWWA C901 REQUIREMENTS; ASTM D2239, SIDR 7 PRESSURE CLASS 250 PSI, I.P.S. COLOR - BLUE
- ④ BALL, ANGLE METER STOP (WITH 1" I.P. THREADS & CONNECTION TO 1" POLY PIPE FOR 1" METER
1"x1" AY MCDONALD 74644B WITH 1" 74753-33 PJxFIP ADAPT IPS/PEP
1"x1" MUELLER B-24265 WITH H-15426 INSTA-TITE
1"x1" FORD BA13-444W-NL WITH C86-44-NL, PACK JOINT

FOR 3/4" METER
INSTALL (2) FORD A24-NL 3/4"x1" ADAPTERS
- ⑤ BALL ANGLE METER STOP (WITH 1" I.P. THREADS & CONNECTION TO 1" COPPER PIPE FOR 1" METER
1"x1" MUELLER 110 COMPRESSION FITTING OR APPROVED EQUAL.

- ⑥ METER BOX
OLD CASTLE 1324BCF-18 ENCLOSURE WITH DUCTILE IRON LID (H20 LOADING) & 1 7/8" DIAMETER AMR HOLE PER DIMENSIONS SHOWN TO RIGHT. NO READER FLAP
- ⑦ DISTRICT WILL PROVIDE (1) METER IDLER PER TYPICAL INSTALLATION (IE. 1" OR 3/4") THE CONTRACTOR SHALL ENSURE THE METER IDLER IS PARALLEL TO THE METER BOX AND CENTERED IN BOTH DIRECTIONS.
- ⑧ METER BACKFILL MATERIAL SHALL BE SAND OR 5/8" MINUS CRUSHED ROCK. BACKFILL TO BOTTOM OF METER REGISTER.

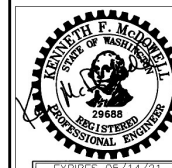


NOTE: ALL BRASS COMPONENTS SHALL CONFIRM TO THE LATEST VERSIONS OF NSF 61 AND ANSI/AWWA STANDARD C800 AND SHALL BE STAMPED / EMBOSSED TO SHOW THE PRODUCT IS MADE FROM A NO LEAD ALLOY.



**Woodinville
Water District**

**1" POLY SERVICE
MATERIAL LIST**



**WATER STD.
PLAN NO. (13M)**

REVISION DATE
12-20