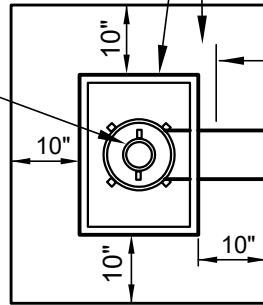


OLD CASTLE 1324BCF-18 WITH DUCTILE IRON LID (H₂O LOADING) & HINGED METAL FLAP LOCATE BLOW-OFF BOX AWAY FROM DRAINAGE OR HIGH WATER AREAS. PAINT LID SAFETY BLUE SEE NOTE 2.

$\frac{3}{8}$ " THICK CONCRETE COLLAR TO DIMENSIONS SHOWN. FLUSH WITH FINISH GRADE. REINFORCE WITH #3 REBAR.

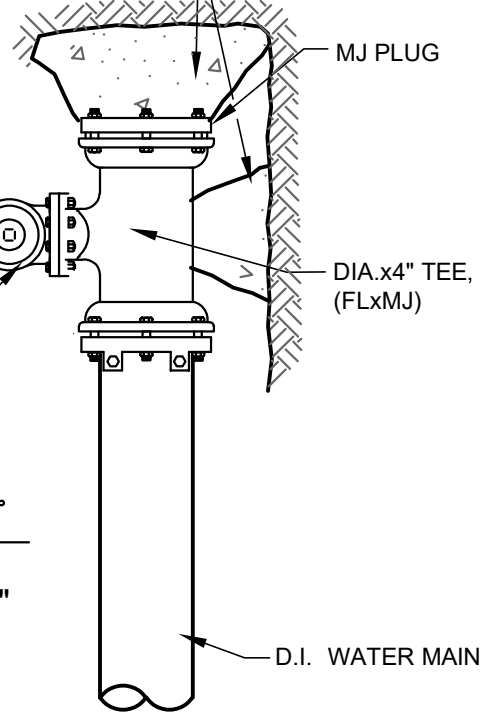
SEE THRUST BLOCK DETAILS

CENTER BLOW-OFF CAP IN BOX



4" CL 52 RESTRAINED PIPE (SEE NOTE 1) LENGTH AS REQUIRED

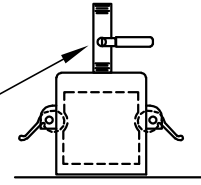
4" GATE VALVE, (FLxMJ)



BLOW OFF MARKER POST SEE STD. PLAN 23.

PLAN

CENTER MOUNT $\frac{1}{4}$ " BALL VALVE IN CAP FOR MANUAL PRESSURE RELEASE



DETAIL "A"

R/W OR PROP. LINE

2'

4'

BO GV

BLOW OFF MARKER POST. SEE STANDARD PLAN 23

6"

2"Ø x 4"± BRASS NIPPLE

FINISH GRADE

2" BRASS QUICK DISCONNECT FITTING & CAP W/ $\frac{1}{4}$ " BALL VALVE PRESSURE RELEASE (SEE DETAIL "A")

4" BLIND FLANGE TAPPED 2" (I.P. THREADS)

SEE NOTE 4

4" SPOOL (PEXFL) LENGTH AS NEEDED

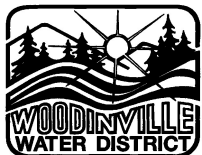
24" LIFT OF WASHED ROCK

C.I. VALVE BOX. SEE STANDARD PLAN 6

4" x 90° BEND MJ

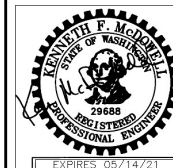
NOTES:

1. MECHANICAL JOINTS (MJ) TO BE RESTRAINED WITH EBBA IRON MEG-A-LUGS. INSTALL FIELD LOK GASKETS IN PIPE JOINTS.
2. VALVE MARKERS TO BE PAINTED (2) COATS SHERWIN WILLIAMS INDUSTRIAL URETHANE ALKYD B54Y157 SAFETY YELLOW. BLOW-OFF BOX LID AND VALVE BOX LIDS TO BE PAINTED (2) COATS OF SHERWIN WILLIAMS INDUSTRIAL URETHANE ALKYD B54T00154 SW4086 SAFETY BLUE.
3. BLOW OFF BOX NOT ALLOWED IN THE STREET.
4. PLACE VALVE TYPE AND SIZE INDICATOR IN VALVE CHAMBER. SEE STANDARD PLAN 23.



Woodinville Water District

BLOW OFF ASSEMBLY



WATER STD. PLAN NO. 12

REVISION DATE

12-20