

**PLAN VIEW**  
NOT TO SCALE

IF SUMP PUMP NECESSARY—INSTALL WEATHERPROOF GFCI OUTLET INSIDE VAULT (OWNER TO PROVIDE ELECTRICAL SERVICE)

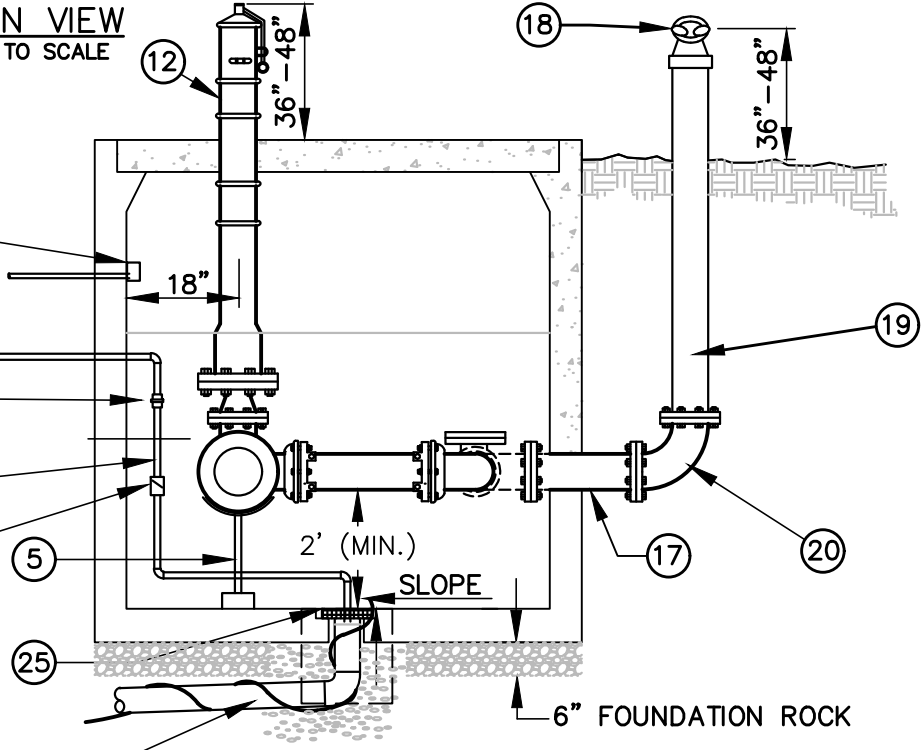
TERMINATE SUMP PUMP PIPING IN CATCH BASIN

1½" PVC UNION

1½" SCHEDULE 40 PVC

1½" PVC SINGLE CHECK

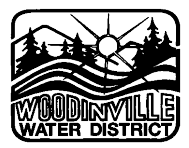
4" SCH. 40 PVC W/ 12GA. (EXTEND INTO VAULT) TRACER WIRE. 2% MIN. SLOPE PROVIDE SUMP PUMP IF GRAVITY DRAIN NOT FEASIBLE



**END VIEW**  
NOT TO SCALE

**NOTES:**

- 1) DESIGN FOR 4" THRU 10" DOUBLE DETECTOR CHECK VALVE
- 2) SEE ATTACHED NOTES FOR MATERIAL LISTING



**Woodinville Water District**

**FIRE SPRINKLER SERVICE CONNECTION**

WATER STD. PLAN NO. 25  
REVISION DATE 10-16