

GROUT BETWEEN ADJUSTMENT RINGS, CONE AND MH FRAME W/ APPROVED NON-SHRINK GROUT

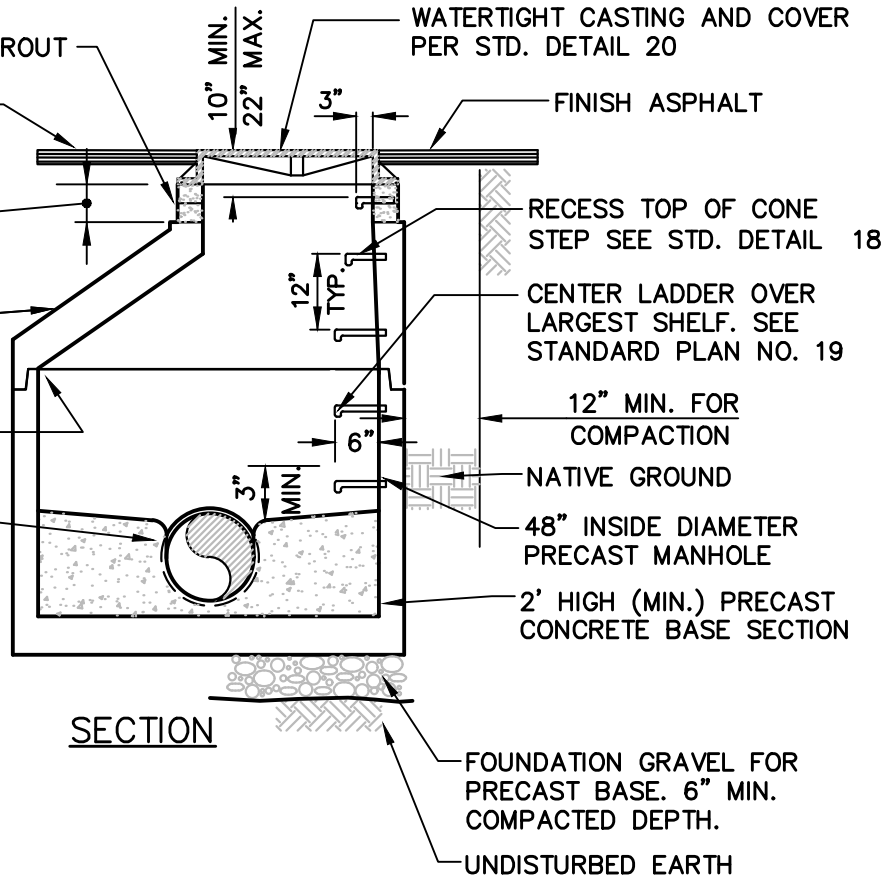
INSTALL CONCRETE OR ASPH COLLAR PER STD. PLAN 21 IF MH OUT OF PAVING.

2" MIN. 8" MAX.

1.5' OR 2' HIGH x 24" x 48" ECCENTRIC CONE SECTION

GROUT INSIDE SEAM AT ALL RISER JOINTS W/ APPROVED NON-SHRINK GROUT

CONNECTION WITH KOR-N-SEAL BOOT



SECTION

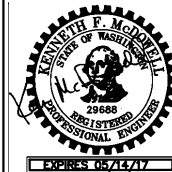
**NOTES:**

1. MINIMUM HEIGHT FOR SHALLOW MH 5'. DEVELOPER MUST HAVE SPECIFIC APPROVAL FROM THE DISTRICT FOR MH'S UNDER 5' (IE. TO RIM).
2. 1.5' OR 2' HIGH CONE SECTION TO BE USED. FLAT TOPS WILL NOT BE ALLOWED. MAXIMUM THROAT ADJUSTMENT 8". THE APPROPRIATE HEIGHT BASE SECTION SHALL BE PROVIDED. DEVELOPER SHALL PROVIDE A SHOP DRAWING WITH DIMENSIONS OF MH SECTIONS AND CORED LOCATIONS.
3. EXTEND ENDS OF PIPE 1" INTO MANHOLE.
4. EXCAVATE BEYOND MH LOCATION TO PROVIDE CLEARANCE FOR COMPACTION EQUIPMENT.
5. PIPE PENETRATIONS IN MH'S SHALL BE CORED. MIN. FALL FROM INLET TO OUTLET- 0.1' (5/16" /FT.) PROVIDE ADDITIONAL FALL FOR STEEPER RUNS. MATCH CROWN ELEV. OF SIDE SEWERS TO HIGHEST MAINLINE PENETRATION.
6. WHERE IDENTIFIED ON THE PLANS OR DIRECTED BY THE DISTRICT, MH WALLS SHALL BE COATED. CASCADE INDUSTRIES OR APPROVED EQUAL.



**Woodinville  
Water District**

**SHALLOW MANHOLE  
DETAIL**



SEWER STD.  
PLAN NO. **5**

REVISION DATE  
9-07