

1" POLY SAFETY TYPE  
MANHOLE STEPS LOCATED  
12" O.C.

ORIENT UPPER LEVEL  
MANHOLE RUNGS. OFFSET  
CONE AND COVER 45° FROM  
DIRECTION OF PIPE  
ALIGNMENT

1" POLY SAFETY TYPE  
MANHOLE STEPS  
LOCATED 12" O.C.  
ALIGN STEPS 90° TO  
DIRECTION OF FLOW

FIBERGLASS LINED PREDL  
SYSTEMS GU LINER

4 HANDHOLDS ABOVE SAFETY  
PLATFORM ON 12" CENTERS.  
3" CLEARANCE

SAFETY PLATFORM. SEE (A)

LADDER PER STANDARD  
SEWER PLAN 18

60" MINIMUM

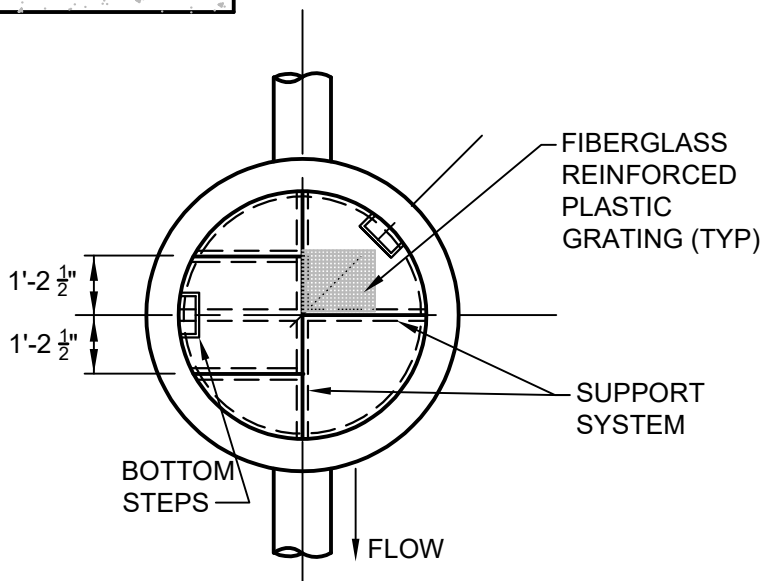
CONNECTION W/  
KOR-N-SEAL BOOT OR  
PREDL BELL

FLOW

1/2 MANHOLE DEPTH ±  
EXCEPT DROP MANHOLE

**NOTES:**

- ① ALL DETAILS NOT SHOWN SHALL CONFORM TO WOODINVILLE WATER DISTRICT STANDARD SEWER PLAN NO. 2
- ② MAXIMUM LENGTH OF SAFETY PLATFORM PANELS SHALL BE 36".
- ③ CONTRACTOR SHALL SUBMIT SHOP DRAWINGS FOR GRATING, PANEL LAYOUT AND SUPPORT SYSTEM APPROVAL PRIOR TO FABRICATION.
- ④ COMPLY WITH ALL STATE, FEDERAL AND LOCAL REGULATIONS REGARDING SAFETY AND INSTALLATION.
- ⑤ INSIDE OF STRUCTURE SHALL BE COATED WITH EPOXYTEC CPP (SPRAYABLE) OR APPROVED EQUAL AS DETERMINED BY THE DISTRICT.



(A) SUGGESTED GRATING PANEL LAYOUT FOR SAFETY PLATFORM



Woodinville  
Water District

DEEP MANHOLE DETAIL  
DEPTHS GREATER THAN 20'



SEWER STD.  
PLAN NO.

5A

REVISION DATE

12-20