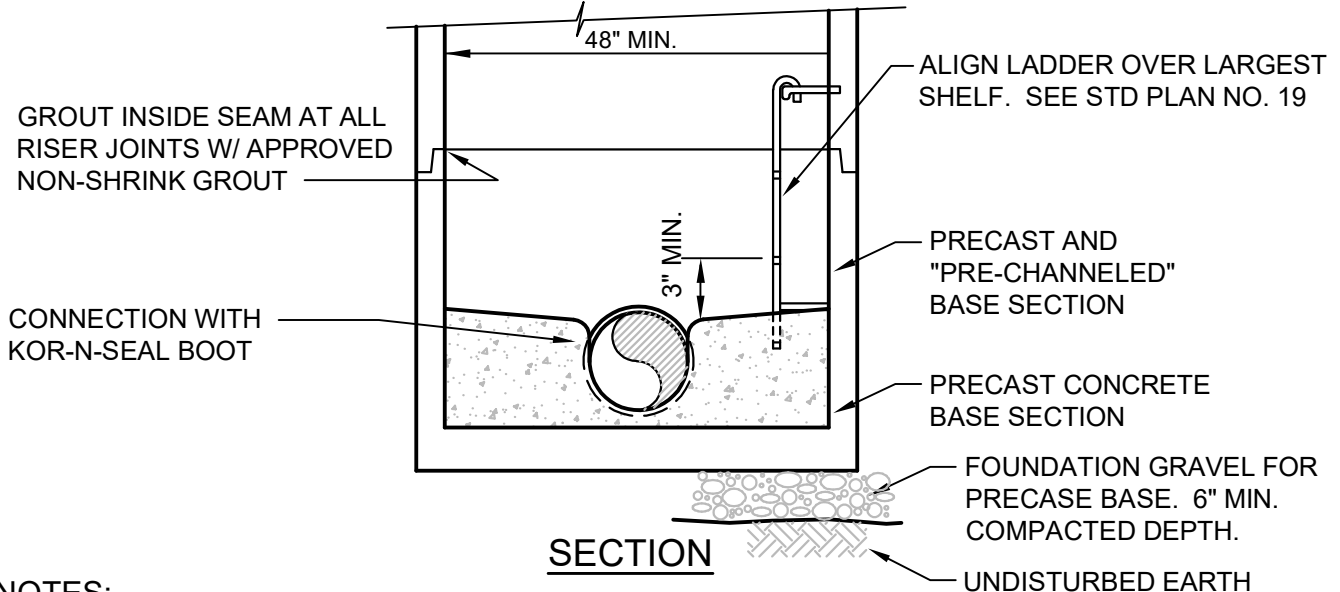


PLAN



SECTION

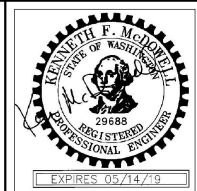
NOTES:

1. ALTERNATIVE SADDLE MH NOT ALLOWED PER EXISTING SEWER MAINS UNDER 2% SLOPE.
2. ALL APPLICABLE DETAILS & NOTES FROM STANDARD PLAN NO. 2 (STANDARD PRECAST MH) APPLY TO SADDLE MH.
3. PRE-CAST BASE SECTION SHALL BE CORED AND CONNECTIONS MADE WITH KOR-N-SEAL BOOTS. THE BASE SHALL BE PROFESSIONALLY PRE-CHANNELED. SEE SPECIFICATIONS.
4. CONTRACTOR RESPONSIBLE TO MAINTAIN EXISTING SEWER FLOWS. BYPASS PLAN REQUIRED. FLOW SHALL BE BYPASSED UNTIL ALL GROUTING NECESSARY TO COMPLETE CHANNEL AND BOOT VOIDS HAS SUFFICIENTLY SET UP.



**Woodinville
Water District**

**ALTERNATIVE SADDLE
MANHOLE DETAIL**



**SEWER STD.
PLAN NO. 4**

**REVISION DATE
12-20**