

GROUT BETWEEN ADJUSTMENT RINGS, CONE AND MH FRAME W/ APPROVED NON-SHRINK GROUT

INSTALL CONCRETE OR ASPH COLLAR PER STD. PLAN 21 IF MH OUT OF PAVING.

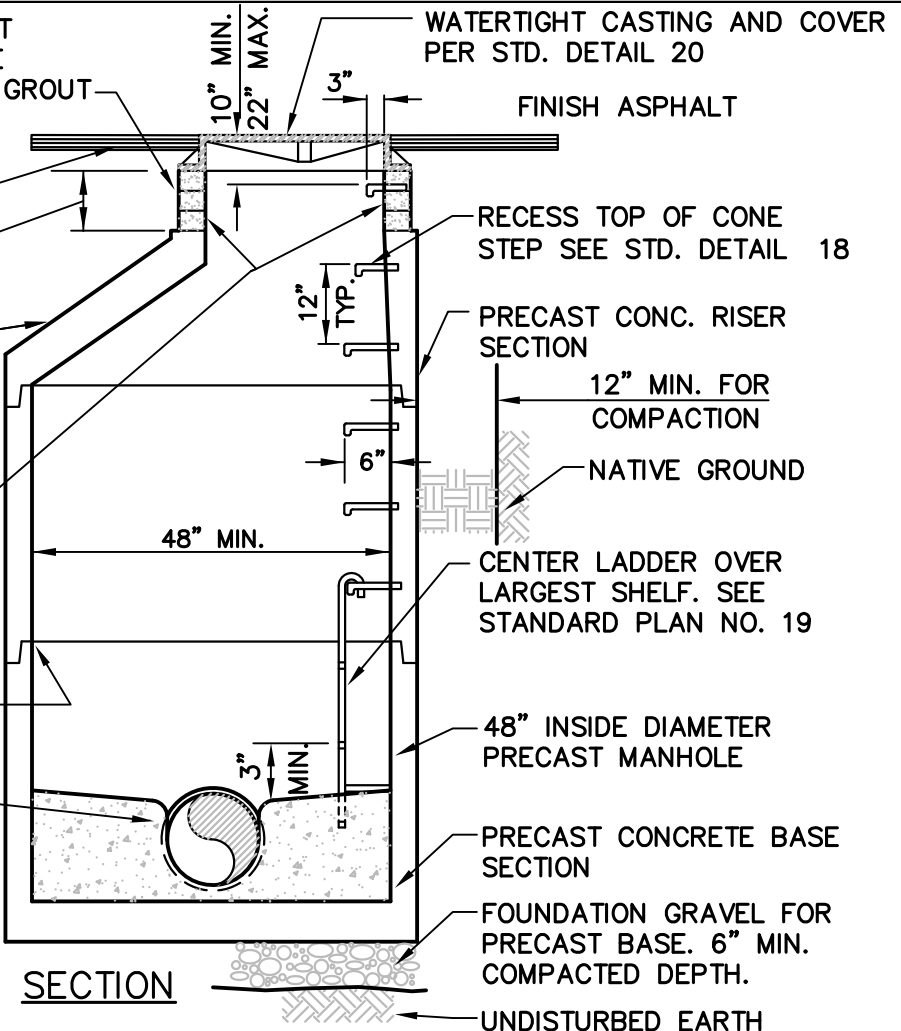
4" MIN. 16" MAX.

24" x 48" ECCENTRIC CONE SECTION

INSIDE FACE OF RISER RINGS TO BE GROUTED TO A SMOOTH FINE BRUSH FINISH W/ APPROVED NON-SHRINK GROUT

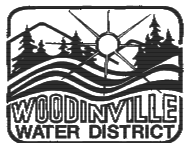
GROUT INSIDE SEAM AT ALL RISER JOINTS W/ APPROVED NON-SHRINK GROUT

CONNECTION WITH KOR-N-SEAL BOOT



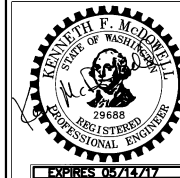
NOTES:

1. MANHOLES SHALL BE WATERTIGHT. IN AREAS OF HIGH GROUND WATER, RISER SEAMS, PICK HOLES AND ADJUSTMENT RINGS (MH NECK) SHALL BE SEALED FROM THE OUTSIDE WITH EXTERNAL JOINT WRAP (SEE SPECIFICATIONS AND STANDARD PLAN NO. 1).
2. MANHOLE COVER TO CONFORM TO FINISH SLOPE ELEVATION. SLOPE ASPHALT PAD AWAY FROM COVER TO PREVENT PONDING.
3. EXTEND ENDS OF PIPE 1" INTO MANHOLE.
4. EXCAVATE BEYOND MH LOCATION TO PROVIDE CLEARANCE FOR COMPACTION EQUIPMENT.
5. PIPE PENETRATIONS IN MH'S SHALL BE CORED. MIN. FALL FROM INLET TO OUTLET- 0.1' (5/16" /FT.) PROVIDE ADDITIONAL FALL FOR STEEPER RUNS. MATCH CROWN ELEV. OF SIDE SEWERS TO HIGHEST MAINLINE PENETRATION.
6. MAXIMUM PIPE SIZE LIMITED BY INLET AND OUTLET LOCATIONS INTO MANHOLE. SEE CONSTRUCTION PLANS FOR SIZE AND LOCATION.
7. 15" MAX. INLET SIZE ON 48" DIA. MANHOLES.
8. WHERE IDENTIFIED ON THE PLANS OR DIRECTED BY THE DISTRICT, MH WALLS SHALL BE COATED. CASCADE INDUSTRIES OR APPROVED EQUAL.
9. 2' HIGH (MAX.) CONE REQUIRED ON MH'S LESS THAN 8' FROM RIM TO INVERT.
10. **COMMERCIAL/ INDUSTRIAL MANHOLES SHALL BE FIBERGLASS LINED PREDL SYSTEMS OR APPROVED EQUAL AS DETERMINED BY THE DISTRICT.**



**Woodinville
Water District**

**STANDARD MANHOLE
DETAILS**



**SEWER STD.
PLAN NO. 2**

REVISION DATE
1-17