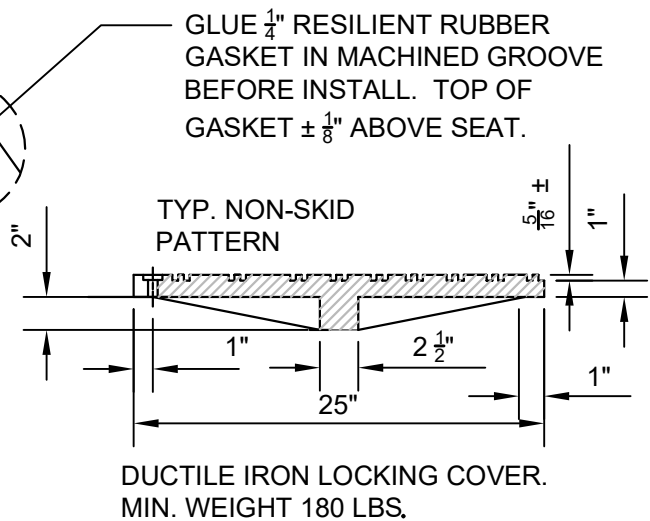


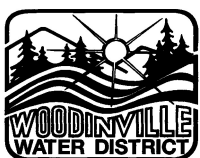
**SECTION A-A**



**SECTION B-B**

**NOTES**

1. MANHOLE COVER SHALL BE DUCTILE IRON (ASTM A 48 CLASS 30). MH CASTING CAN BE DUCTILE IRON OR CAST IRON AS MANUFACTURED BY EAST JORDAN IRON WORKS PRODUCT NO. 00370548W01 CATALOG NO. 3705APT DI 3715ZPT OR APPROVED EQUAL.
2. DRILL AND TAP (3) 5/8" HOLES THRU FRAME @ 120°. COVERS & CASTINGS THAT CANNOT BE BOLTED DOWN IN ANY ROTATION OF THE BOLTS WILL BE REJECTED.
3. MH COVERS NOT ALLOWED IN SIDEWALK, CURB & GUTTER, LOW AREAS THAT COLLECT RUNOFF AND WHENEVER POSSIBLE POSITION FRAME OUT OF WHEEL TRACKS.
4. MH LOCATIONS OUT OF PAVED AREAS REQUIRE A CONCRETE COLLAR. SEE STD. PLAN NO 21.
5. PROVIDE (3) 5/8" S.S. LOCKING BOLTS WITH RUBBER WASHERS PER COVER. ENSURE MH COVERS ARE BOLTED DOWN AFTER FINAL INSPECTION.



**Woodinville  
Water District**

**WATERTIGHT MANHOLE  
CASTING AND FRAME**



**SEWER STD.  
PLAN NO. (20)**

REVISION DATE  
12-20