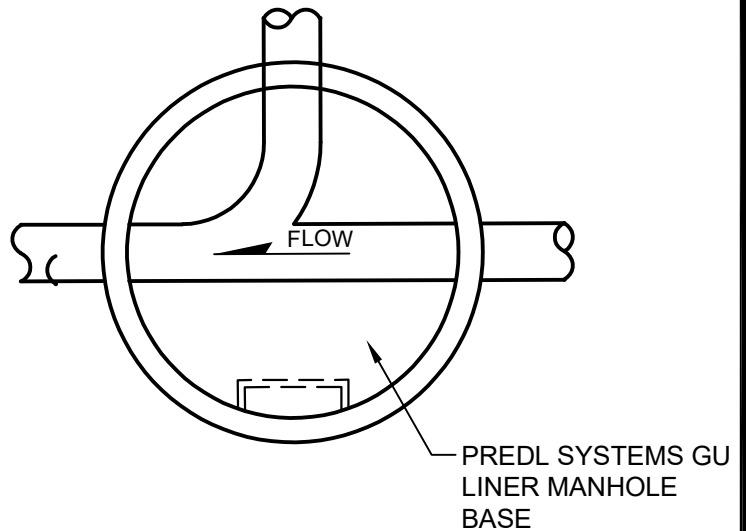
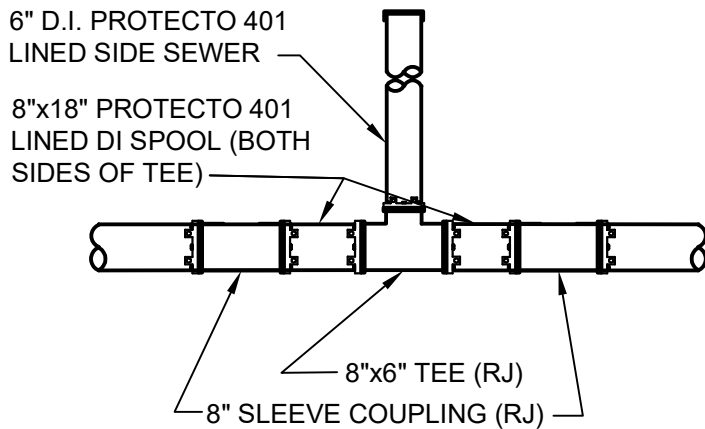


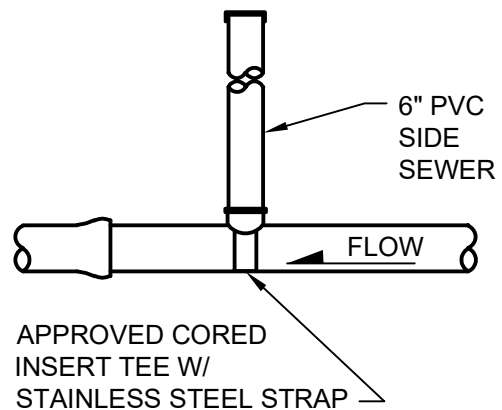
EXISTING PVC PIPE CUT-IN CONNECTION



COMMERCIAL SIDE SEWER CUT-IN CONNECTION



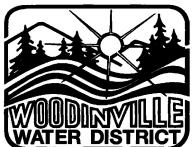
EXISTING DUCTILE IRON PIPE CUT-IN CONNECTION



EXISTING CONCRETE PIPE TAP CONNECTION

NOTES:

1. (7) DAYS NOTICE REQUIRED PRIOR TO CUTTING IN A TEE.
2. EXISTING SEWER FLOWS SHALL NOT BE INTERRUPTED. CONTRACTOR SHALL BE RESPONSIBLE FOR ALL EQUIPMENT AND COSTS NECESSARY TO BYPASS EXISTING FLOWS.
3. ALL APPLICABLE DETAILS FROM STANDARD SIDE SEWER INSTALLATION (STD PLAN 15) APPLY TO CUT-IN SIDE SEWER.
4. COMMERCIAL SIDE SEWERS SHALL CONNECT TO A NEW FIBERGLASS LINED PREDL SYSTEMS GU LINER OR APPROVED EQUAL MANHOLE BASE. ALL APPLICABLE DETAILS FROM ALTERNATIVE SADDLE MANHOLE (STD PLAN 4) APPLY TO COMMERCIAL CUT-INS..



**Woodinville  
Water District**

**SIDE SEWER INSTALLATION  
ON EXISTING MAIN**



**SEWER STD.  
PLAN NO. 17**

**REVISION DATE  
12-20**