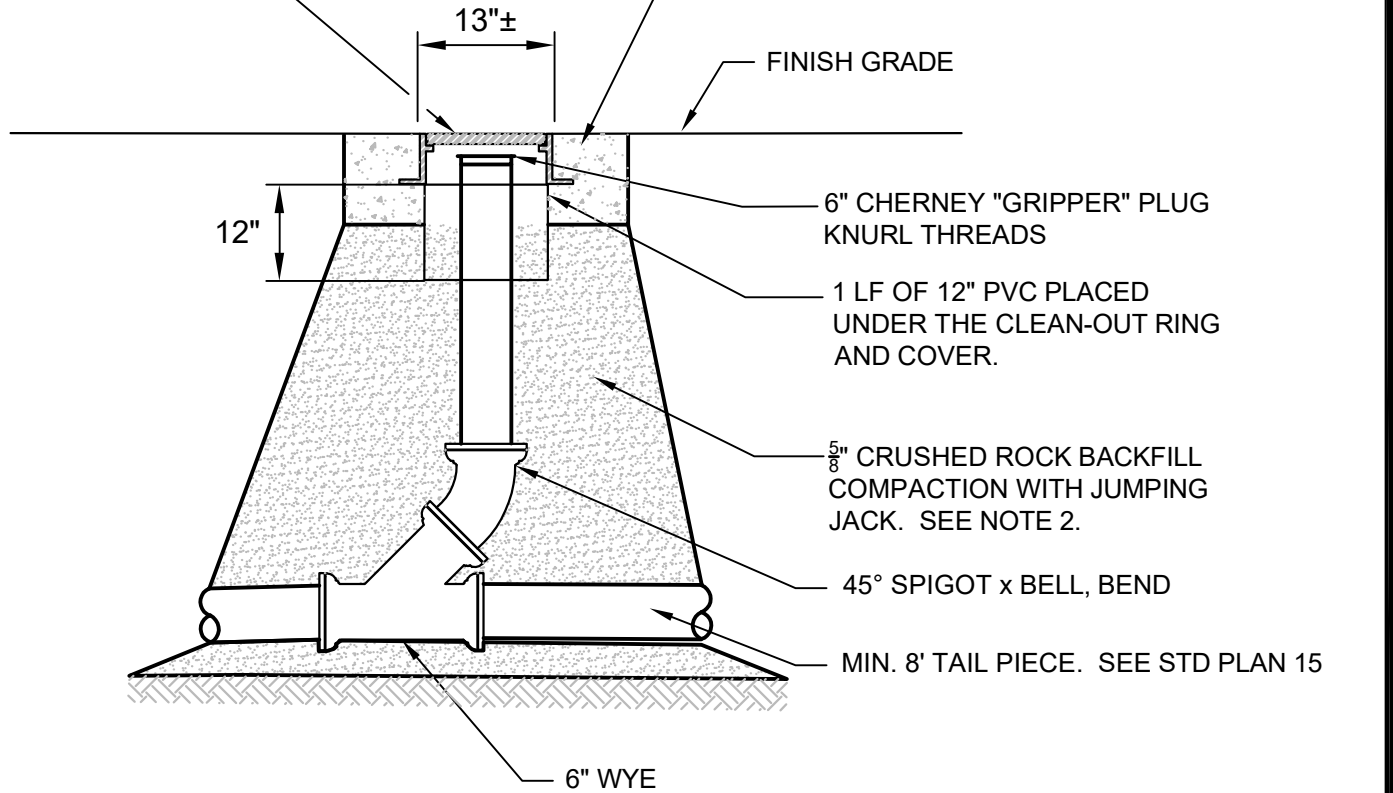


LOCKING CLEAN-OUT RING & COVER WITH (2) STAINLESS STEEL CAP SCREWS. SEE NOTE 3.

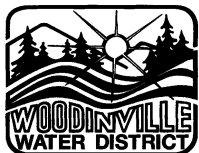
6" THICK x 24" DIAMETER CONCRETE COLLAR. LOWER COLLAR 2" FROM FINISHED ASPHALT GRADE IN PAVED AREAS. TOP OF COLLAR TO BE FLUSH WITH FINISH GRADE IN NON-PAVED AREAS.



ELEVATION

NOTES:

1. CLEANOUT PIPING TO BE THE SAME SIZE AND MATERIAL AS THE SIDE SEWER (OR MAINLINE IF APPLICABLE).
2. TRENCH BACKFILL SHALL BE COMPACTED AND TESTED TO 95% OF MAX. DENSITY (ASTM D1557). JUMPING JACK OR PNEUMATIC TAMPER COMPACTION AROUND CLEANOUT PIPING.
3. LOCKING RING AND COVER TO BE EAST JORDAN IRON WORKS CO. PRODUCT NO 00366102 CATALOG NO. 3660CPT, 3661ZPT OR APPROVED EQUAL.



**Woodinville
Water District**

**SEWER CLEANOUT
DETAIL**



**SEWER STD.
PLAN NO. 14**

REVISION DATE
12-20