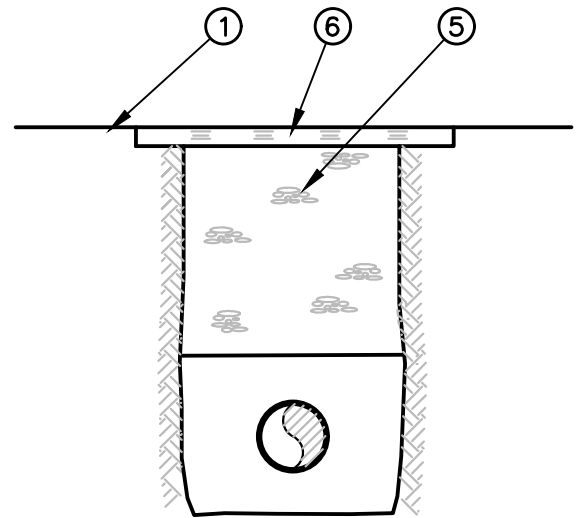


ACP RESTORATION



SHOULDER AND  
EASEMENT RESTORATION

- ① EXISTING SURFACE
- ② PERMANENT PATCH- MATCH EXISTING DEPTH (3" MIN.) DEPTH CLASS ½" PG 64-22 HOT MIX ASPHALT. JURISDICTIONAL REQUIREMENTS OVERRIDE.  
TEMPORARY PATCH- 2" MIN. DEPTH ½" PG 64-22 HOT MIX ASPHALT ON 3" MIN. CRUSHED SURFACING.
- ③ TRENCH BACKFILL OR CONTROL DENSITY FILL PER PER LOCAL JURISDICTIONAL REQUIREMENTS.
- ④ NEAT LINE ACP CUT. TACK EDGES WITH EMULSIFIED ASPHALT. SEAM SEAL (UNLESS ROAD TO BE OVERLAYED PRIOR TO WINTER) WITH A NARROW APPLICATION OF AR4000.
- ⑤ TRENCH BACKFILL- SEE STANDARD DETAIL 8 & 8A OR PER LOCAL JURISDICTION
- ⑥ RESTORE EXISTING SURFACE. TOP SOIL, CSTC (2" MIN.) OR AS NOTED ON THE PLANS.
- ⑦ 2" ASPHALT ½" PG 64-22 HOT MIX ASPHALT OVERLAY FULL WIDTH OVERLAY, INCLUDING PAVED SHOULDERS, WHEN SPECIFIED ON THE PLANS OR REQUIRED BY THE JURISDICTIONAL AUTHORITY.

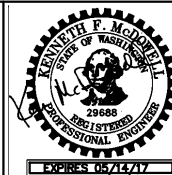
NOTE:

- 1. THESE STANDARDS ARE THE MINIMUM ALLOWABLE. LOCAL JURISDICTIONAL REQUIREMENTS SHALL OVERRIDE WHERE APPLICABLE.
- 2. SEE TYPICAL TRENCH SECTION DETAILS (STANDARD PLAN 8 & 8A).
- 3. DAILY TEMPORARY TRENCH PATCH REQUIRED IF PERMANENT PATCHING NOT IN PLACE. CONTRACTOR SHALL BE AWARE "T" IS REQUIRED SO PERMANENT PATCH RESIDES ON 12" OF UNDISTURBED MATERIAL. PERMANENT PATCH SHALL BE INSTALLED W/IN 30 DAYS OF EXCAVATION. "T" CUT SHALL NOT BE PERFORMED UNTIL TRENCH IS BACKFILLED.



**Woodinville  
Water District**

**TRENCH  
RESTORATION**



**SEWER STD.  
PLAN NO. 10**

REVISION DATE  
12-16